

SUBMITTAL DATA

BUCKLEY ROOF CURBS

Specification Notes:

- Wood Nailer
- 18 Gauge Galvanized Steel
- Welded Shell and Base
- 1" thick, 3 lb. Rigid Fiberglass Insulation
- Welds coated with Galvanizing Compound

Options:

- Aluminum construction
- Pressure Treated Nailer
- Damper Tray
- Various heights - D
- Various Gauges of Galvanized Steel

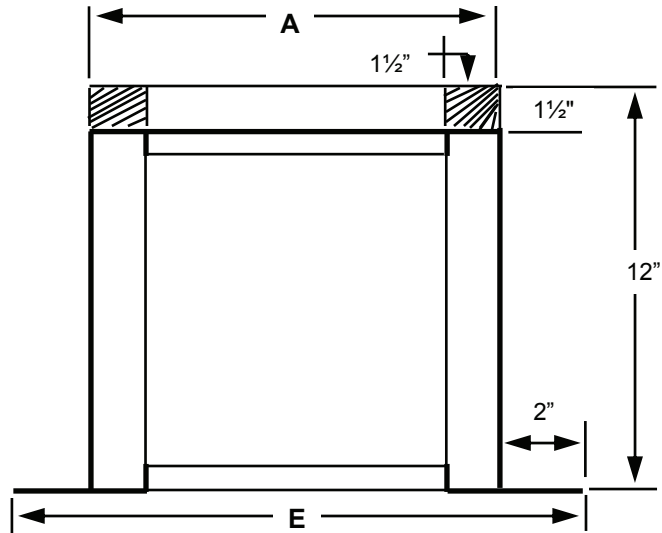
Dimensional Data

CURB SIZE	OPT. TRAY SIZE	FAN CURB CAP	A	E	R.O.* SQ.
17	8	17	16	20	10½
19	8	19	18	22	10½
19	10	19	18	22	12½
22	12	22	21	25	14½
24	14	24	23	27	16½
26	16	26	25	29	18½
30	18	30	29	33	20½
34	24	34	33	37	26½
40	30	40	39	43	32½
46	36	46	45	49	38½

Note: All dimensions are in units of inches.

To maintain Buckley's policy of continuous improvement, we reserve the right to change prices, specifications, ratings or dimensions without notice or obligation. **Manufactured by Sheet Metal Union Local 17.**

MODEL BRC-100



Designed for non-insulated roof decks, this Curb is mounted directly to the roof deck structure, then roofed to the vertical surface and sealed to the Flashing Flange.

Model BRC-100

Roof Curb shall be Model BRC-100 and shall be 12" in height. The shell and the base shall be welded. A 1" thick, 3 lb. Rigid Fiberglass Insulation shall be provided. The Curb shall be constructed of welded 18 Gauge Galvanized Steel

Option

Aluminum (.063)

MANUFACTURED BY: Buckley Associates, Inc. HANOVER, MA