

# SUBMITTAL DATA

## DIFFUSER CONNECTION BOOT TRANSITION

Model DCBTR

### Standard Construction

26 Gauge Galvanized Steel

### Options

Aluminum Construction

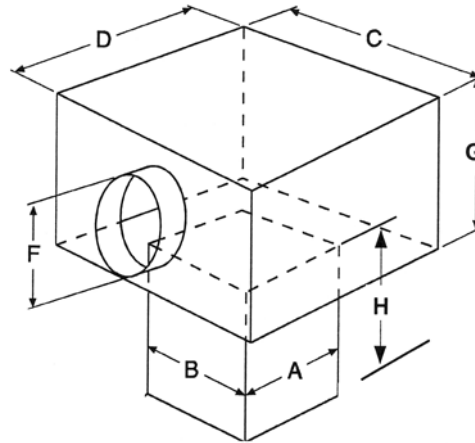
Heavier Gauge Steel

½" Duct Liner

½" Closed Cell Foam

1" Closed Cell Foam

Foil Faced Insulation



### DIMENSIONAL DATA

Size	A	B	C	D	F	G	H
6 x 6	6"	6"	8"	8"	6"	8"	2"
8 x 8	8"	8"	10"	10"	8"	10"	2"
9 x 9	9"	9"	11"	11"	8"	10"	2"
10 x 10	10"	10"	12"	12"	10"	12"	2"
12 x 12	12"	12"	14"	14"	12"	14"	2"
15 x 15	15"	15"	17"	17"	12"	14"	2"
18 x 18	18"	18"	20"	20"	12"	14"	2"
21 x 21	21"	21"	23"	23"	12"	14"	2"
22 x 22	22"	22"	24"	24"	12"	14"	2"
24 x 24	24"	24"	26"	26"	12"	14"	2"

**Note:** A & B dimensions will be  $\frac{1}{8}$ " larger than stated size so that transition will fit over neck of IV Diffusers as well as regular 5000 Diffuser.

To maintain Buckley's policy of continuous improvement, we reserve the right to change prices, specifications, ratings or dimensions without notice or obligation. **Manufactured by Sheet Metal Union Local 17.**

**MANUFACTURED BY: *Buckley Associates, Inc.* HANOVER, MA**

Visit us on the World Wide Web at: <http://www.buckleyonline.com>

