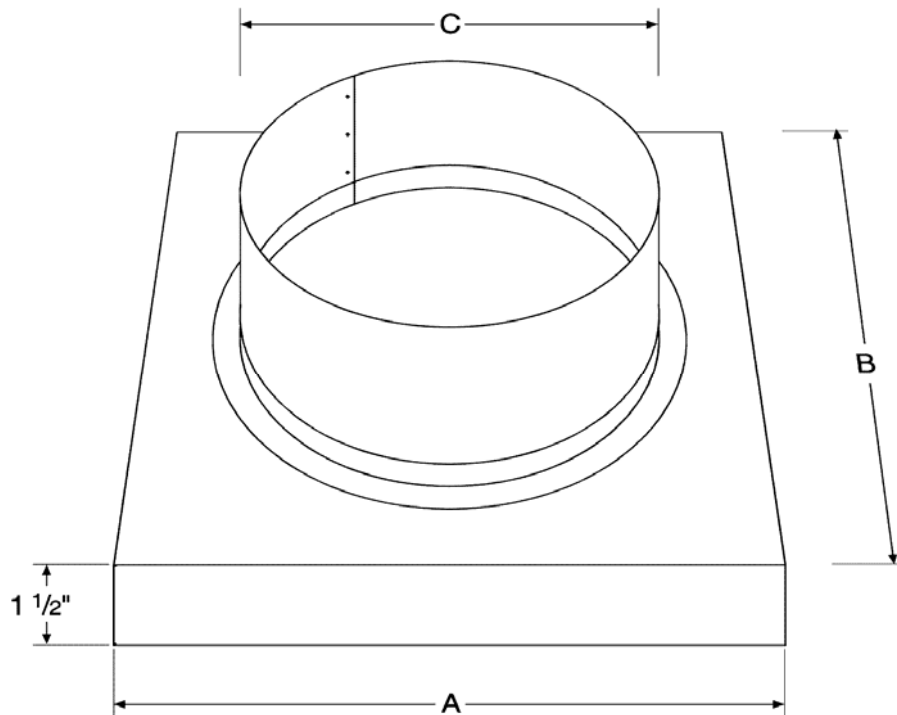


# SUBMITTAL DATA

## BUCKLEY TRANSITION

MODEL TR-1½



A & B are specified sizes  
C = minus 1/8" from round diameter

### **Standard Construction**

- 26 Gauge Galvanized Steel
- Transition Height = 1½"
- Collar Height = 3"

### **Options**

- Aluminum construction
- Various gauges of Galvanized Steel

To maintain Buckley's policy of continuous improvement, we reserve the right to change prices, specifications, ratings or dimensions without notice or obligation. **Manufactured by Sheet Metal Union Local 17.**

**MANUFACTURED BY: Buckley Associates, Inc. HANOVER, MA**

Visit us on the World Wide Web at: <http://www.buckleyonline.com>

