

# Submittal Data

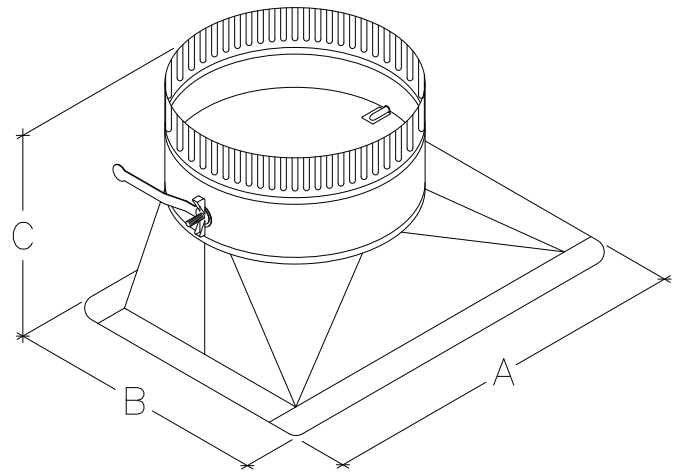
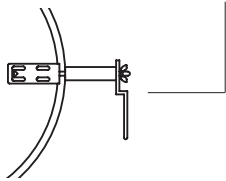
Model 3300  
45° Take Off Fitting

## Standard Construction

- 26 Gauge Galvanized Steel
- 1" Wide Flange with .125" Double Stick Neoprene Gasket

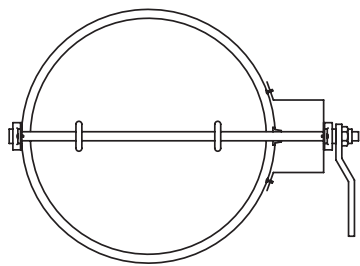
## Models Available

3300.....No Damper  
3300D.....With Damper  
3300D-ISG.....With Damper and 2" Insulation Standoff Guard



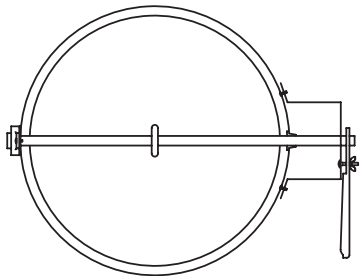
## Heavy Duty Hardware Options

### 3300D-HD



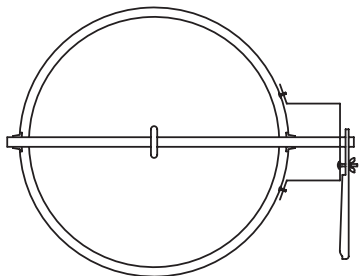
- Cast Tekline Locking Handle
- Elevated Standoff Bracket
- 18ga Damper Blade
- Closed End Bearing
- 3/8" Square Bar
- 2 U-Bolts

### 3300D-B01



- Stamped Locking Handle
- Elevated Standoff Bracket
- 24ga Damper Blade
- Closed End Bearing
- 3/8" Square Bar
- 1 U-Bolts up to 10"
- 2 U-Bolts over 10"

### 3300D-B03



- Stamped Locking Handle
- Elevated Standoff Bracket
- 24ga Damper Blade
- Nylon Bearing
- 3/8" Square Bar
- 1 U-Bolt up to 10"
- 2 U-Bolts over 10"

## Dimensional Data

Diameter	A	B	C
4	8	6	10
5	10	5¾	9¼
6	10	5¾	9¼
7	11	5¾	9¼
8	12	6	10
9	15	5¾	10
10	15½	6½	11
12	18	8¼	11
14	20	9¾	11
16	24	12	13

All dimensions are in inches.

*Buckley Associates, Inc.*

Manufactured by Buckley Associates, Inc, Hanover, Massachusetts  
Sheet Metal Union Local 17.

3300  
May 2011 Revision 3

