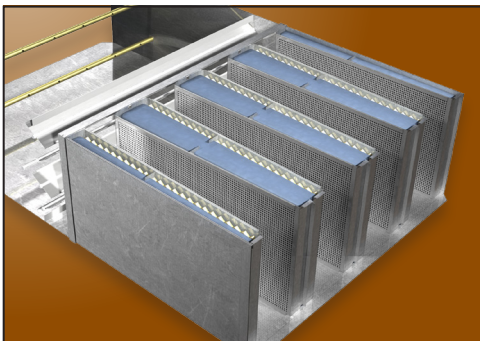


Custom Supply and Exhaust Terminals

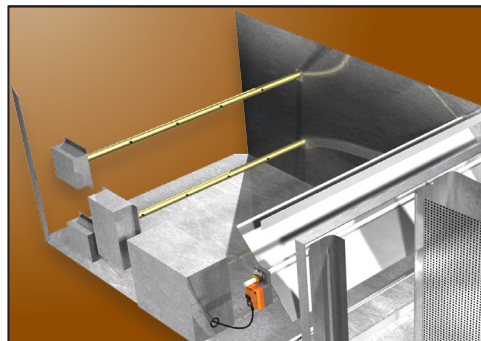
Price custom supply and exhaust terminals are an excellent way to reduce noise, save energy, reduce operating costs and can be customized to suit your application. When combined with Ebtron airflow measurement devices the terminals becomes a highly accurate airflow control device. In addition to a wide range of sizes and airflows, a variety of options are available on Price VAV boxes, including:

Price terminals are factory tested to ensure quality and performance



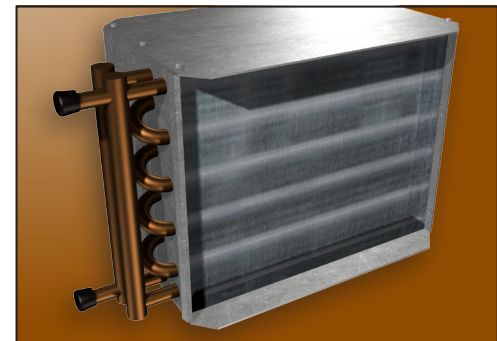
Integral Silencers

- Galvanized Casings
- Fiberglass Acoustic Media
- Slip & Drive Connections
- Hospital Grade



Factory-Mounted Controls

- Ebtron Electronic Air Flow Stations
- Customer Provided Controls
- Factory Controls



Coils

- One to Four Row Heating Coil
- ARI 410 Certified
- Electric Heat