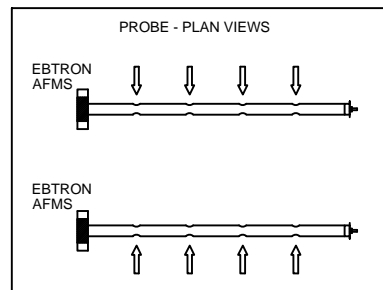
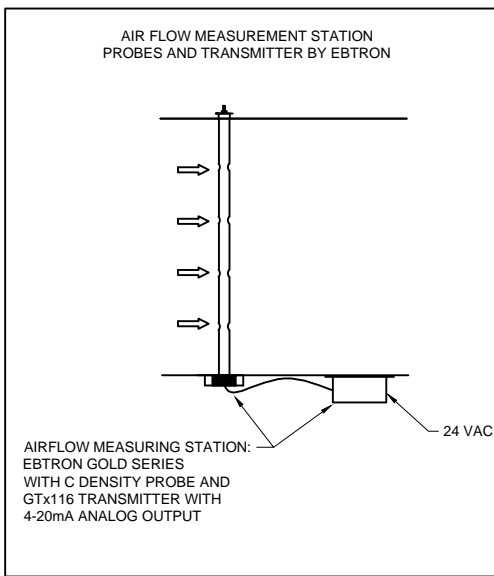
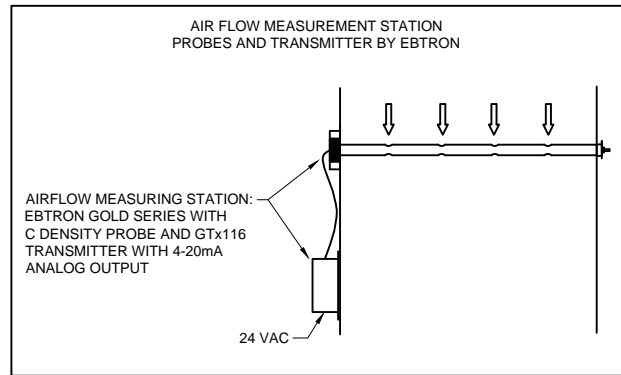
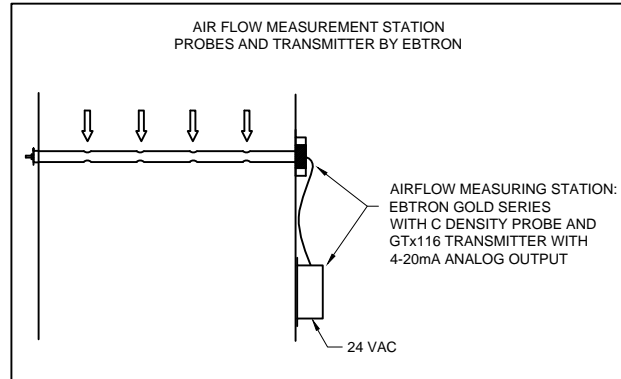
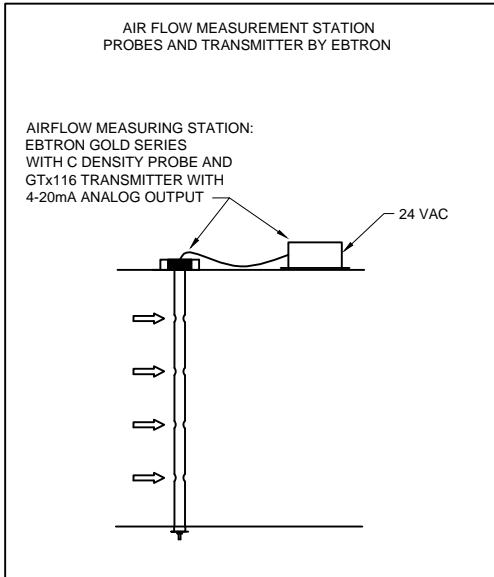
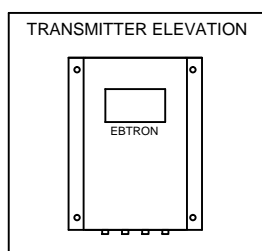
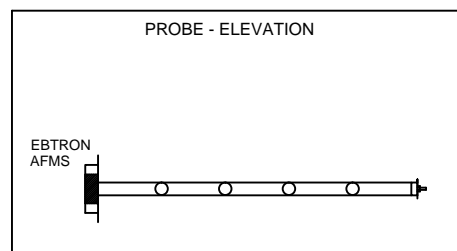


PRODUCT SYMBOLS - PLAN VIEW



PRODUCT SYMBOLS - ELEVATION VIEW



SCHEDULE

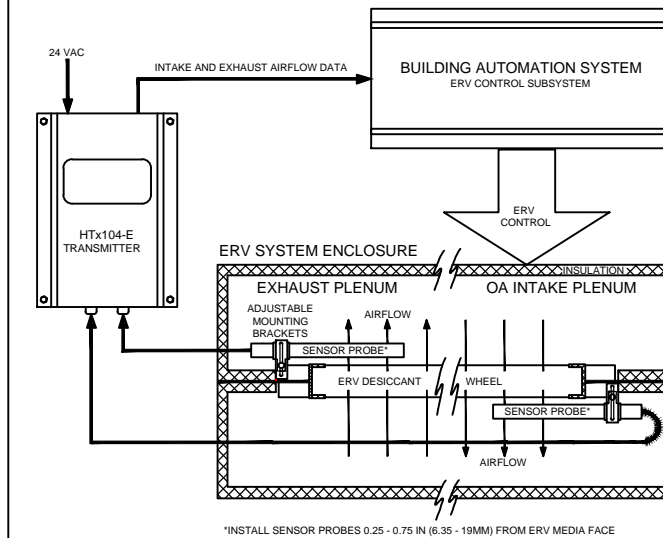
AIRFLOW MEASUREMENT STATION SCHEDULE:

TAG:	SENSOR LOCATION:	MANUFACTURER:	PART NUMBER:	SENSOR TYPE:	DUCT SIZE:	TEMP OUTPUT:	REMARKS:
AHU-1-OA	OUTSIDE AIR	EBTRON	GTx116-PC	PROBE	24" X 24"	YES	SEE NOTES: 1 THRU 6
AHU-1-SA	SUPPLY AIR DUCT	EBTRON	GTx116-PC	PROBE	10" X 16"	YES	SEE NOTES: 1 THRU 6
AHU-1-RA	RETURN AIR FAN	EBTRON	GTx116-F	FAN INLET	N/A	YES	DWID, SEE NOTES: 1, 2, 3, 5 & 6
CONF-SA	CONFERENCE RM	EBTRON	GTx116-PC	PROBE	12" X 16"	YES	SEE NOTES: 1 THRU 6

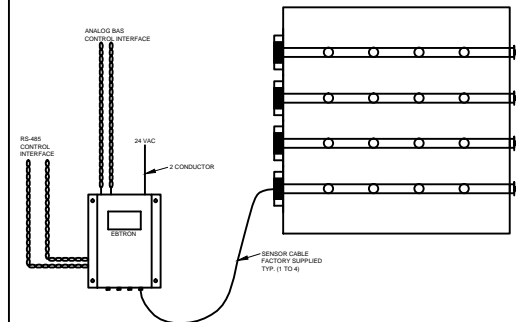
NOTES:

1. THE MANUFACTURER'S AUTHORIZED REPRESENTATIVE SHALL CONFIRM PROBE LENGTH WITH INSTALLING CONTRACTOR AND COORDINATE THE PLACEMENT OF THE AIRFLOW MEASURING EQUIPMENT PER MANUFACTURER'S RECOMMENDATIONS.
2. AIRFLOW MEASURING DEVICE SHALL BE THERMAL DISPERSION TYPE AND SHALL USE HERMETICALLY SEALED BEAD IN GLASS THERMISTORS. CHIP THERMISTORS ARE NOT ACCEPTABLE. DIFFERENTIAL PRESSURE TRANSMITTERS ALSO ARE NOT ACCEPTABLE.
3. COORDINATE WITH BMS SUPPLIER TO PROVIDE AFMS WITH PROPER OUTPUT/COMMUNICATION PROTOCOLS.
4. PROBES TO BE INSTALLED IN THE DUCTWORK PER MANUFACTURER'S RECOMMENDATIONS; FAN INLET SENSORS ARE NOT ACCEPTABLE.
5. AFMS TO PROVIDE TEMPERATURE OUTPUT WHICH SHALL HAVE AN ACCURACY OF 0.15 DEGREE F., BE VELOCITY WEIGHTED AND AVERAGED BY TRANSMITTER PRIOR TO OUTPUT.
6. TRANSMITTER SHALL BE EQUIPPED WITH AN ANALOG TEMPERATURE OUTPUT THAT CAN BE CONFIGURED AS AN ALARM OUTPUT. ALARM CAN BE SET AS ACTIVE HIGH, ACTIVE LOW OR SETPOINT.

ENERGY WHEEL AIRFLOW STATION DETAILS



AIR FLOW MEASUREMENT STATION AND RECTANGULAR DUCT DETAIL

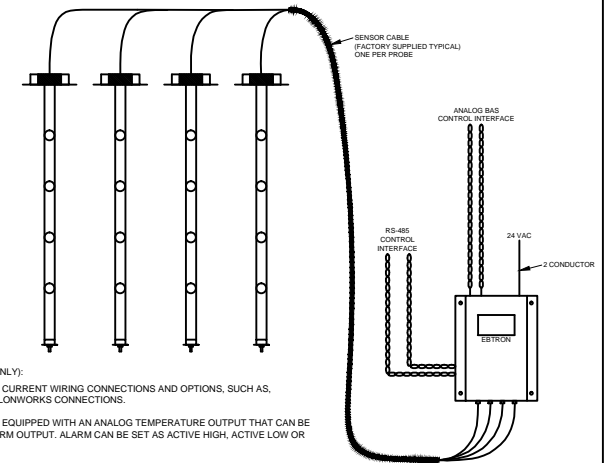


NOTES (FOR REFERENCE ONLY):

1. CONTACT FACTORY FOR CURRENT WIRING CONNECTIONS AND OPTIONS, SUCH AS, ETHERNET, RS-485 AND LONWORKS CONNECTIONS.
2. TRANSMITTER SHALL BE EQUIPPED WITH AN ANALOG TEMPERATURE OUTPUT THAT CAN BE CONFIGURED AS AN ALARM OUTPUT. ALARM CAN BE SET AS ACTIVE HIGH, ACTIVE LOW OR SETPOINT.
3. CONNECT OUTPUT SIGNAL CABLE. CABLE DRAINS TO EARTH GROUND AT ONE END ONLY.
4. ON MULTIPLE TRANSMITTER INSTALLATIONS WITH A COMMON 24 VAC SOURCE, WIRE 24 VAC POWER TO THE SAME TERMINALS ON ALL TRANSMITTERS (E.G. L1 TO L1, L2 TO L2).

APPLICATION DETAILS

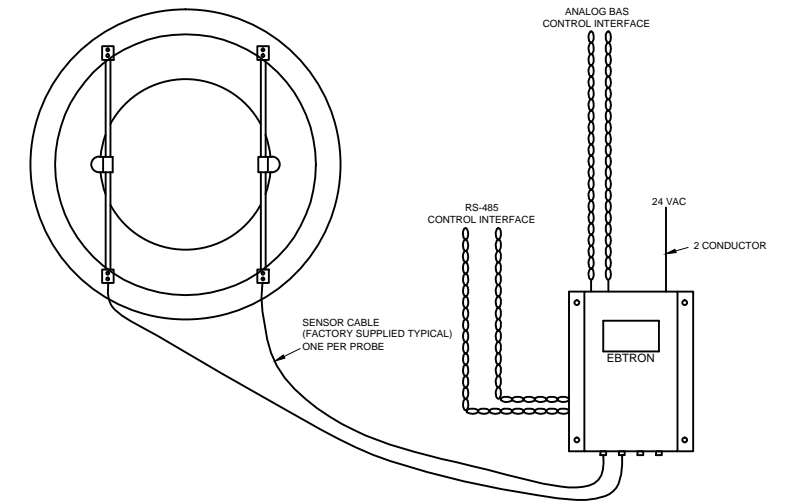
TRANSMITTER WITH PROBE DETAIL



NOTES (FOR REFERENCE ONLY):

1. CONTACT FACTORY FOR CURRENT WIRING CONNECTIONS AND OPTIONS, SUCH AS, ETHERNET, RS-485 AND LONWORKS CONNECTIONS.
2. TRANSMITTER SHALL BE EQUIPPED WITH AN ANALOG TEMPERATURE OUTPUT THAT CAN BE CONFIGURED AS AN ALARM OUTPUT. ALARM CAN BE SET AS ACTIVE HIGH, ACTIVE LOW OR SETPOINT.
3. CONNECT OUTPUT SIGNAL CABLE. CABLE DRAINS TO EARTH GROUND AT ONE END ONLY.
4. ON MULTIPLE TRANSMITTER INSTALLATIONS WITH A COMMON 24 VAC SOURCE, WIRE 24 VAC POWER TO THE SAME TERMINALS ON ALL TRANSMITTERS (E.G. L1 TO L1, L2 TO L2).

TRANSMITTER WITH FAN INLET PROBE DETAIL



NOTES (FOR REFERENCE ONLY):

1. CONTACT FACTORY FOR CURRENT WIRING CONNECTIONS AND OPTIONS, SUCH AS, ETHERNET, RS-485 AND LONWORKS CONNECTIONS.
2. COORDINATE WITH FACTORY FOR APPROPRIATE REQUIRED MOUNTING STYLE OPTION.
3. TRANSMITTER SHALL BE EQUIPPED WITH AN ANALOG TEMPERATURE OUTPUT THAT CAN BE CONFIGURED AS AN ALARM OUTPUT. ALARM CAN BE SET AS ACTIVE HIGH, ACTIVE LOW OR SETPOINT.
4. CONNECT OUTPUT SIGNAL CABLE. CABLE DRAINS TO EARTH GROUND AT ONE END ONLY.
5. ON MULTIPLE TRANSMITTER INSTALLATIONS WITH A COMMON 24 VAC SOURCE, WIRE 24 VAC POWER TO THE SAME TERMINALS ON ALL TRANSMITTERS (E.G. L1 TO L1, L2 TO L2).

THIS DOCUMENT CONTAINS THE MOST POPULAR ELEMENTS FROM EBTRON'S LIBRARY OF AUTOCAD SYMBOLS, DEVICES, DETAILS AND BLOCKS. FOR ADDITIONAL CONTENT CONTACT YOUR LOCAL EBTRON REPRESENTATIVE.

EBTRON PROPRIETARY / CONFIDENTIAL DATA DISCLOSURE NOTICE
 The information contained in this document is proprietary, confidential, private and competition sensitive, and shall not be reproduced or duplicated in any form, or disclosed to any persons or entities other than the intended recipient(s). EBTRON, Inc. will vigorously pursue any violation of this agreement. Recipient agrees to these terms by acceptance of this document.

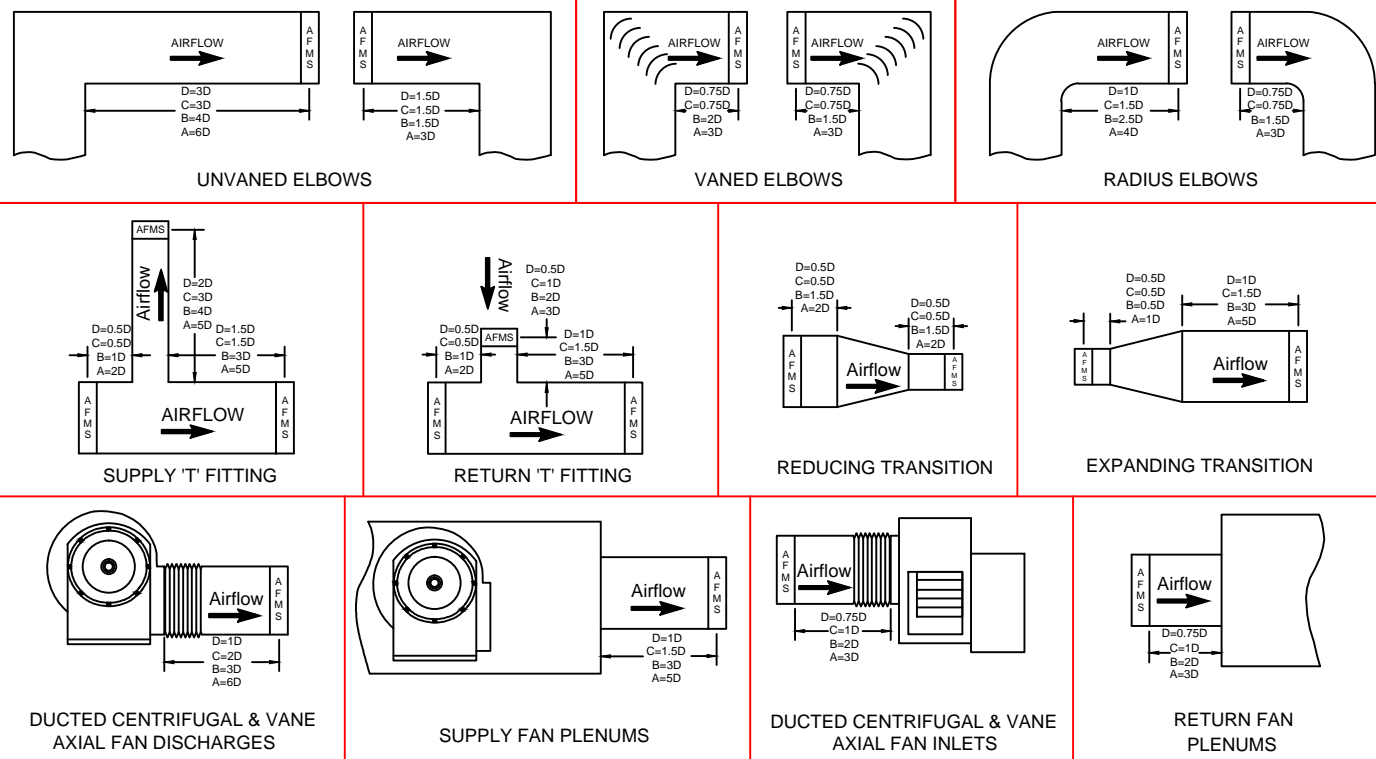
		UNLESS OTHERWISE SPECIFIED		APPROVALS			
		ALL DIMENSIONS ARE IN INCHES.	DECIMAL TOLERANCE: .XX ± .015	ACTION	INITIALS	DEPT	DATE
		ANGULAR TOLERANCE: ±1/2°	XXX ± .005	DRAWN:			
		REMOVE ALL BURRS AND SHARP EDGES		CHECKED:			
		HOLE TOLERANCES		APPROV:			
		Ø10 TO Ø18 ± .005	Ø18 TO Ø30 ± .005	APPROV:			
		Ø30 TO Ø34 ± .005	Ø34 TO Ø42 ± .005	APPROV:			
		Ø42 TO Ø60 ± .005	Ø60 TO Ø120 ± .005	APPROV:			
NEXT ASSY	USED ON	MATERIAL:					
APPLICATION							

EBTRON EBTRON, Inc. 1663 Hwy. 701 S. Lenoir, SC 29569 TEL: 843.756.1828 FAX: (843)756.1838 www.ebtron.com	
TITLE: EBTRON AUTOCAD LIBRARY	
DWG NO: D B9300900	SCALE: NONE
SHEET: 1 of 2	REVISION: R1A

EBTRON GOLD SERIES - PROBE PLACEMENT DETAILS

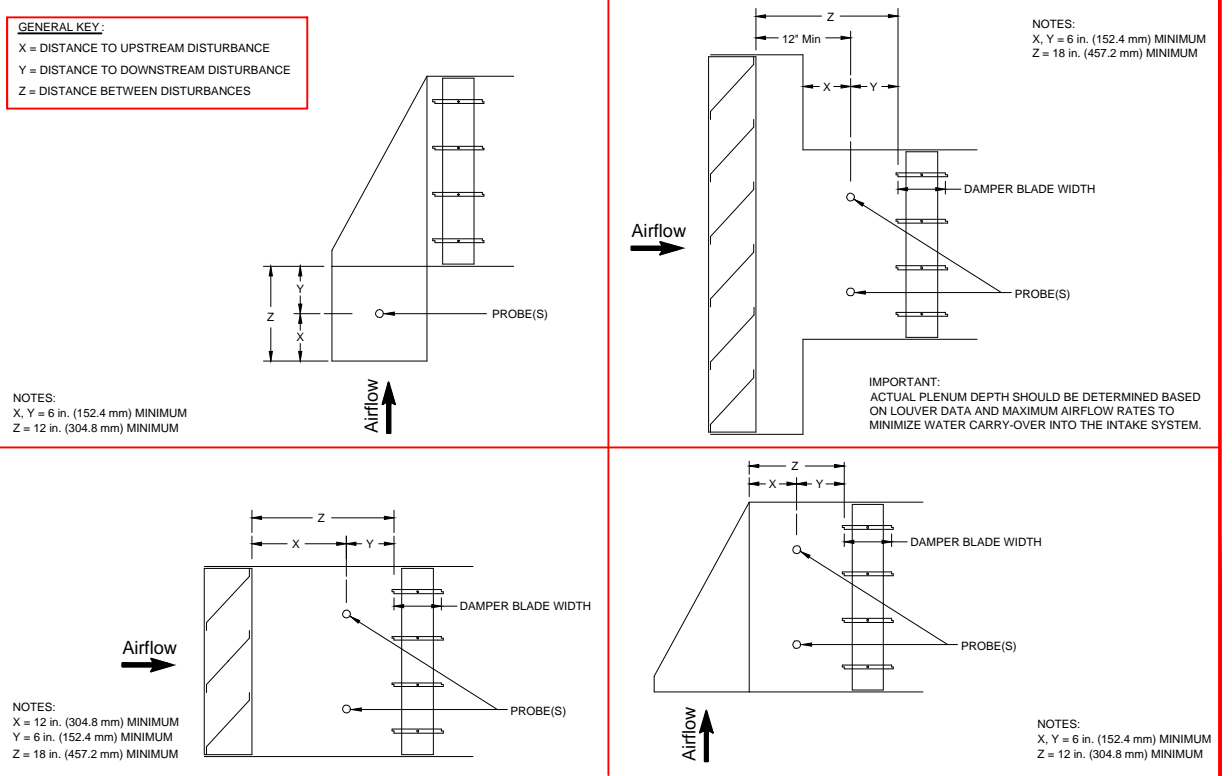
DUCT MOUNTING AND MINIMUM PLACEMENT GUIDE ('D', 'C', 'B' AND 'A' SENSOR DENSITY PROBES)

D = SIMPLE EQUIVALENT DIAMETER = (WIDTH + HEIGHT)/2



OUTSIDE AIR INTAKE DAMPER / PLENUM PROBE APPLICATIONS AND PLACEMENT GUIDE

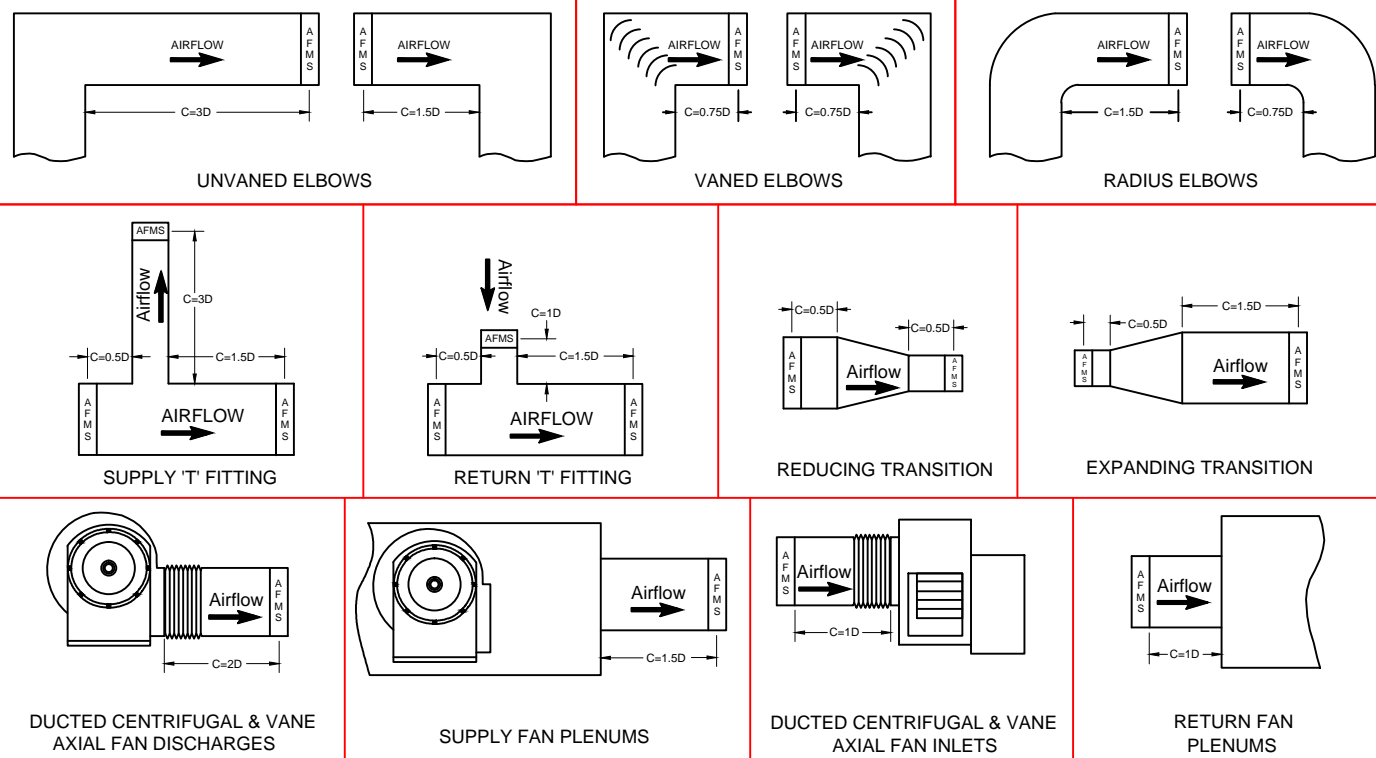
GENERAL KEY:
 X = DISTANCE TO UPSTREAM DISTURBANCE
 Y = DISTANCE TO DOWNSTREAM DISTURBANCE
 Z = DISTANCE BETWEEN DISTURBANCES



EBTRON GOLD SERIES - PROBE PLACEMENT DETAILS

DUCT MOUNTING AND MINIMUM PLACEMENT GUIDE ('C' SENSOR DENSITY PROBES)

D = SIMPLE EQUIVALENT DIAMETER = (WIDTH + HEIGHT)/2



THIS DOCUMENT CONTAINS THE MOST POPULAR ELEMENTS FROM EBTRON'S LIBRARY OF AUTOCAD SYMBOLS, DEVICES, DETAILS AND BLOCKS. FOR ADDITIONAL CONTENT CONTACT YOUR LOCAL EBTRON REPRESENTATIVE.

EBTRON PROPRIETARY / CONFIDENTIAL DATA DISCLOSURE NOTICE
 The information contained in this document is proprietary, confidential, private and competition sensitive, and shall not be reproduced or duplicated in any form, or disclosed to any person or entity other than the intended recipient, EBTRON, Inc. will vigorously pursue any violation of this agreement. Recipient agrees to these terms by acceptance of this document.

UNLESS OTHERWISE SPECIFIED		APPROVALS			
ALL DIMENSIONS ARE IN INCHES.		ACTION	INITIALS	DEPT	DATE
DECIMAL TOLERANCE:	.XXX ± 0.05	DRAWN	ER	CAD	2/20/2012
ANGULAR TOLERANCE:	±12'	CHECKED:			
REMOVE ALL BURRS AND SHARP EDGES		APP'VD:			
1/16 TO 1/8	1/16 TO 1/4	APP'VD:			
1/8 TO 3/4	3/4 TO 2.000	APP'VD:			
2.000 TO 4.000	4.000 TO 16.000	APP'VD:			
MATERIAL:		FINISH:			
NEXT ASSY	USED ON				
APPLICATION					

TITLE: **EBTRON AUTOCAD LIBRARY**

DWG NO: **D B9300900**

SCALE: NONE SHEET: 2 of 2 REVISION: R1A

