

Fire Ready Residential Range Hood Model GRRS

Ready for fire!

Cooking is the leading cause of residential building fires. An estimated average of 165,000 cooking fires occur annually, resulting in property loss, injuries and even death.

Residential buildings typically rely on portable fire extinguishers and sprinkler systems to protect property and occupants. Portable extinguishers require early use and manual intervention to contain fires, while sprinkler systems act as a final measure of protection.

The Fire Ready Hood is a dual purpose device. It is both a ventilation hood and a self-contained fire suppression system. The Fire Ready Hood is designed for use above residential style appliances in commercial settings, such as:

- Office lunchrooms
- Military housing
- Assisted living facilities

- 30 and 36 inch widths
- UL300A approved
- Front recirculation or external venting
- Optional NFPA101 compliant accessories
- Gas, electric or dual utility appliance disconnects



*Fire Ready Residential Range Hood
Model GRRS*

How does it work?

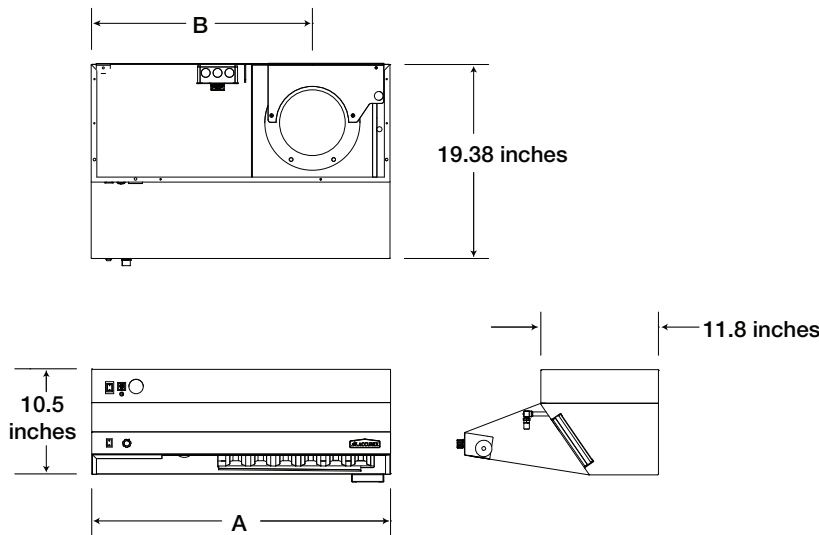
The Fire Ready Hood monitors the hood temperature. In the event of a cooking fire, the Fire Ready Hood will:

- De-energize appliance using supplied disconnect
- Signal an audible alarm
- Engage auxiliary building alarm contacts

If the hood temperature continues to climb, a fusible link will melt. This will release wet chemical suppression agent through nozzles, suppressing the cooking fire.

The Fire Ready Hood model GRRS is equipped with standard features that add value while preventing cooking fires from getting out of control.

Feature	Benefit
Fusible Link	Reliable mechanical fire detection.
Appliance Disconnect	De-energizes appliance if hood temperature climbs too high.
Amerex® 660 Wet Chemical Agent	Quickly suppresses flames – cleans up with soap and water.
Audible Alarm	Alerts occupants of fire danger.
ECM Fan Motor	Adjustable fan speed for odor and sound control.



Intertek

The ETL Listed Mark is accepted as a product's mark of compliance to applicable electrical, gas and other safety standards. Intertek is an OSHA recognized NRTL (Nationally Recognized Testing Laboratory) and accredited as a Testing Organization and Certification Body by the Standards Council of Canada.

Dimensional Data

Model	Dimensions (inches)	
	A	B
GRRS-30	29.875	22.1
GRRS-36	35.875	25.1

Dimensional data shown is for standard top discharge hood. NFPA101 compliant accessories may change hood height, depending on configuration.

Our Commitment

As a result of our commitment to continuous improvement, Greenheck reserves the right to change specifications without notice.

Specific Greenheck product warranties are located on greenheck.com within the product area tabs and in the Library under Warranties.



Prepared to Support
Green Building Efforts