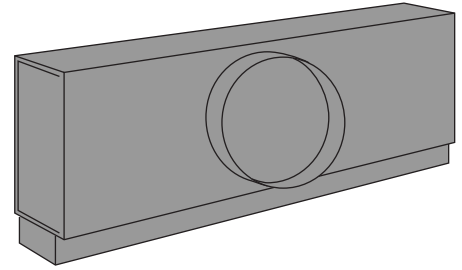


BUCKLEY DISTRIBUTION PLENUMS

LIST PRICES							
LENGTH (inches)		WIDTH (inches)					
		UP TO 1-3/4 (1 slot)	1-7/8 to 3-1/2 (2 slot)	3-5/8 to 5-1/4 (3 slot)	5-3/8 to 7 (4 slot)	7-1/8 to 8-3/4 (5 slot)	8-7/8 to 10-1/2 (6 slot)
24	Bare	\$38	\$40	\$42	\$46	\$50	\$54
	Insulated	53	55	57	58	62	64
36	Bare	49	51	53	55	57	59
	Insulated	70	73	76	79	82	85
48	Bare	57	59	62	65	68	70
	Insulated	89	92	97	103	109	116
60	Bare	72	74	76	78	80	82
	Insulated	107	111	115	122	129	142
72	Bare	86	88	90	92	94	96
	Insulated	127	132	137	147	157	168

MODEL BDP



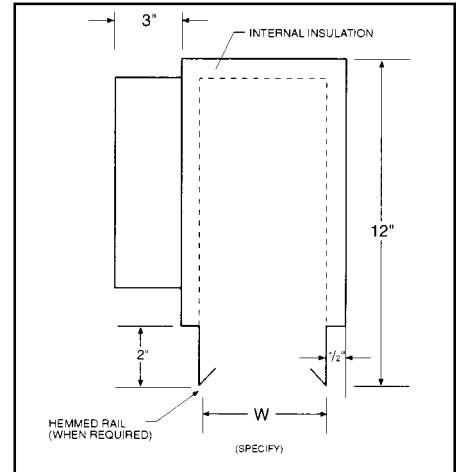
Ordering Instructions: always specify diffuser manufacturer and their model number.

Example: BPL 48x2 Slot 8" inlet (MetalAire model 6075-12-SM).



SAMPLE ORDERING ILLUSTRATION

BUCKLEY DISTRIBUTION PLENUM	B (BARE) L (INSULATED)	NOMINAL LENGTH	SLOTS	INLET SIZE	DIFFUSER MFR & MODEL
BDP	L	48"	2	8"	METALAIRE 6075-12-SM

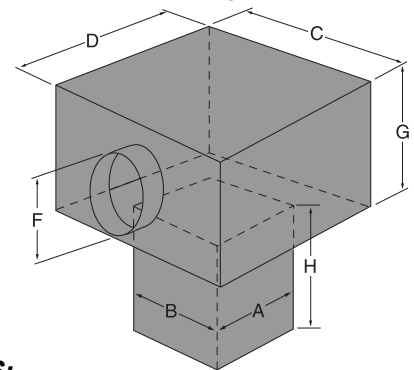


MODEL DCBTR

DIMENSIONAL DATA (inches) & LIST PRICES								
SIZE	A	B	C	D	F	G	H	LIST PRICE
6 x 6	6	6	8	8	6	8	4	\$ 40
9 x 9	9	9	11	11	8	10	4	54
12 x 12	12	12	14	14	12	14	4	66
15 x 15	15	15	17	17	12	14	4	84
18 x 18	18	18	20	20	12	14	4	90
21 x 21	21	21	23	23	12	14	4	140
24 x 24	24	24	26	26	12	14	4	155

Note: A & B dimensions will be 1/8" larger than stated size so that transition will fit over the neck of Metal Aire IV Diffusers as well as regular Metal Aire 5000 Diffuser.

STANDARD CONSTRUCTION
26 Gauge Galvanized Steel



OPTIONS:

- Aluminum Construction **List x 3.00**
- 1/2" Duct Liner **List x 1.50**
- 1/2" Closed Foam Cell **List x 1.75**
- 1" Closed Foam Cell **List x 2.00**
- Foil-Faced Insulation **List x 2.00**
- Odd sizes: price up to next larger size + 10%

EX: 9-1/2 x 9-1/2: price as 12 x 12 + 10%